



MAX. 1,10 M

ELECTRIC BIKE LIFT



BIKE LIFT

Get the most out of your mobility and freedom with the electric Bike Lift.

The patented 'Bike Lift' is the smartest and most innovative bike-carrier on the market. Planning to hit the road in your motorhome? Witness the perfect solution for bringing along your bikes and taking them anywhere you want!



An **integrated 12V motor** with switch or **remote control** (as option) moves the bikes up and down.



The platform of the Bike Lift can bridge a 110cm height distance. The bikes can be **lowered to almost ground level** on most vehicles.



No need to lift the bikes yourself. Installing the bikes on the platform is far **more comfortable when they are closer to the ground**.

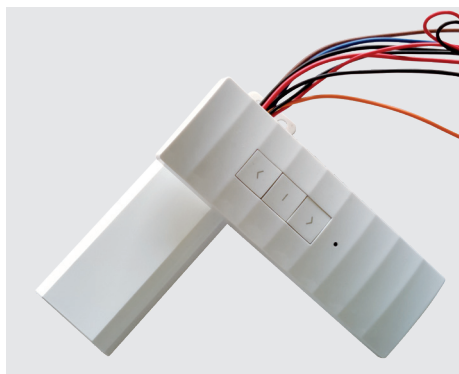


The **maximum load is 60 kg**, making it perfectly suitable for 2 E-bikes or 3 standard bikes.

Accessories

Get the most from your Bike Lift with these useful accessories.

MORE COMFORT



Remote Control
Item number: BKL-ACC-RMC

GREATER PROTECTION



Protection Cover
Item number: BKL-ACC-COV

HIGHER SAFETY



Additional key lock for bike holders
Item number BKL-ACC-KEY

EXTRA BIKE



Kit for 3rd bike
Item number BKL-ACC-KIT

Product video

Curious for more? Scan the QR code to view the product video on your smartphone or go to www.br-systems.com



Characteristics



1 Adjustable mounting points

Allows an installation on different types of vehicles. The Bike Lift can even be mounted on standard fixation points or replace a standard rack.



2 12V Motor

The motor lifts the bikes up without any human effort. You can even adjust to the perfect lowest position of the Bike Lift.



3 Double safety lock

A manual circuit breaker and axle for mechanical locking prevents unwanted lowering of the Bike Lift while driving the vehicle.



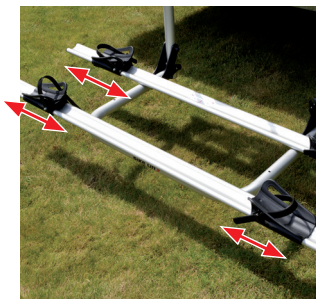
4 Smart platform lock

The sturdy smart platform locking system prevents that the platform jumps up during driving.



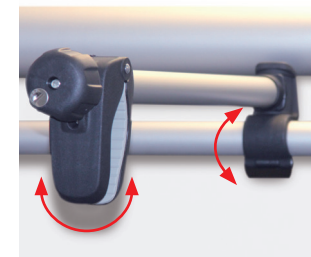
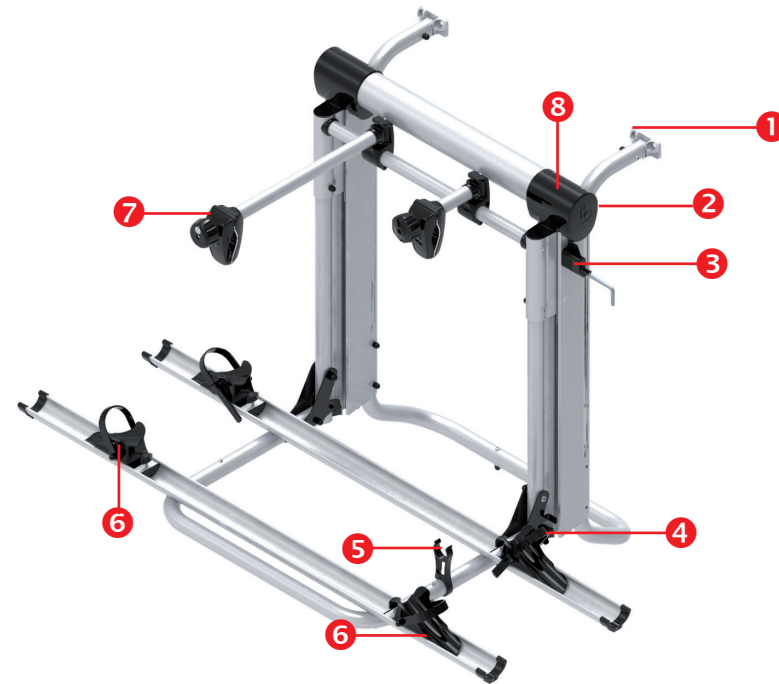
5 Platform holder

The platform can be folded easily and securely to ensure optimal and safe driving or when the Bike Lift is not in use.



6 Adjustable wheel holders

Choose the position of the wheel holders and fasten the bikes securely with the integrated wheel straps.



7 Adaptable bike holder

The bike holders are adjustable to every bike frame. They are even lockable with our optional accessory.



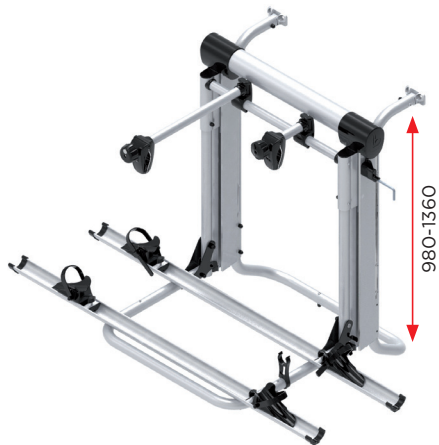
8 Manual override system

A power outage can't stop you enjoying your bikes! The standard supplied crank makes it possible to bring the platform down.

Models

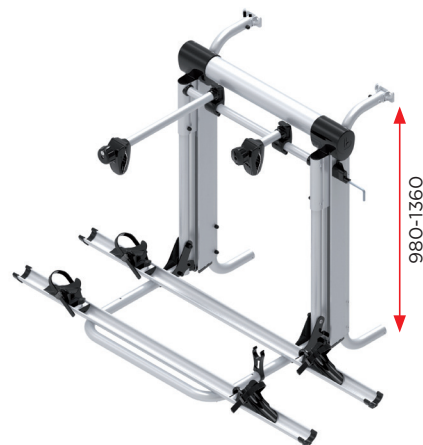
BIKE LIFT STANDARD

Item number BKL-STD



BIKE LIFT STANDARD RAIL

Item number BKL-STD-RAIL



For vehicles equipped with lower mounting rail (rail not included)



BIKE LIFT SHORT

Item number BKL-SHO



BIKE LIFT SHORT RAIL

Item number BKL-SHO-RAIL

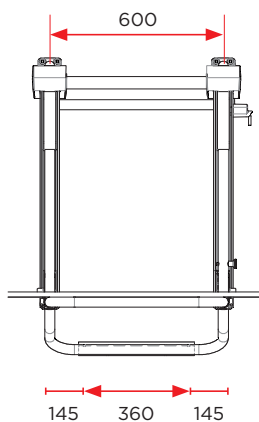


For vehicles equipped with lower mounting rail (rail not included)

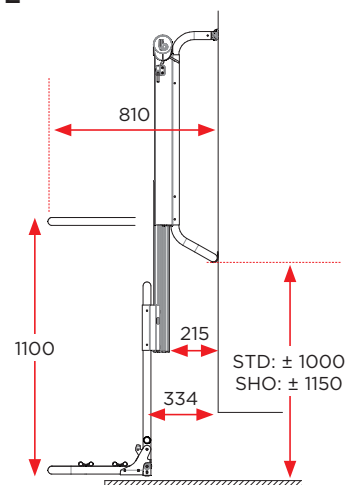


Dimensions

FRONT



SIDE



BR-SYSTEMS
BIKE LIFT SOLUTIONS

Prostor bv - Lourdesstraat 84 - 8940 Geluwe - Belgium
T +32 (0)56 26 56 56 - info@br-systems.com - www.br-systems.com

Contact us at
volofamliyans.ca
for more information.

Prostor bv will not be held responsible for any printing or colour errors.
Content is subject to modifications (technical and prices).